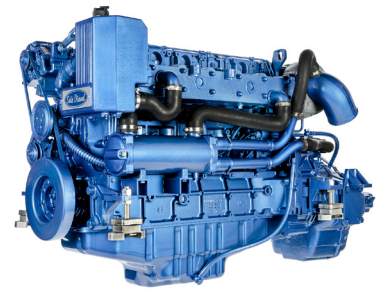




# SDZ-205

Inboard Engine Base Deutz

6 cylinders in line 197.2 HP (145 kW) 2300 rpm

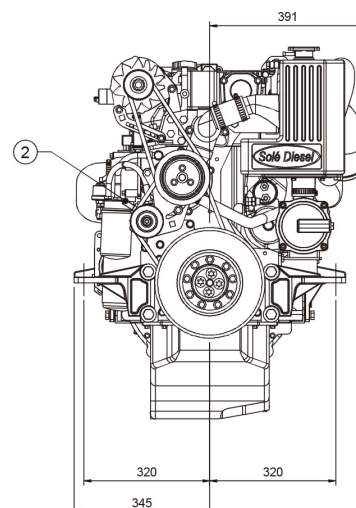
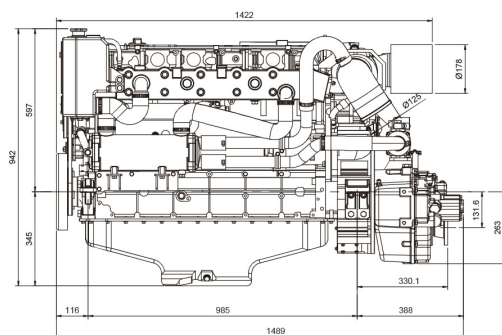


## Tekniska Data

Base	Deutz
Type	Diesel 4 Stroke Cycle
Number of Cylinders	6 in line
Intake System	Turbocharger
Bore x Stroke	108 mm x 130 mm (4,25 in x 5,12 in)
Total Displacement	7146 cc
Compression Ratio	17.6:1
Intermittent Power (ISO3046/1)	197.2 HP (145 kW)
Continuous Power	177.5 HP (130.5 kW)
Rated RPM	2300
Combustion System	Direct mechanical injection
Starter Motor	24 V (4 kW)
Alternator	55 A 24 V
Engine Max Installation Angle	Max static angle 9° (+ 3° in operation)
Direction of Rotation (Crankshaft)	Anti Clockwise
Cooling System	Sea water cooled heat exchanger
Dry Weight (bobtail)	688 Kg (1517 Lbs)
Water Hose (Inside Diameter)	42 mm (1,65 in)
Fuel Feed Hose (Inside Diameter)	12 mm (0,47 in)
Fuel Return Hose (Inside Diameter)	12 mm (0,47 in)
Exhaust hose (inside Diameter)	125 mm (4,92 in)
Certifications	EU: RCD I (Directive 94/25/EC)

## Dimensions

SDZ-205 TM-170

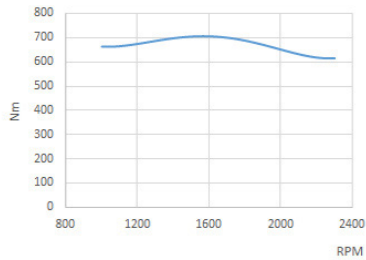


Dimensions in mm

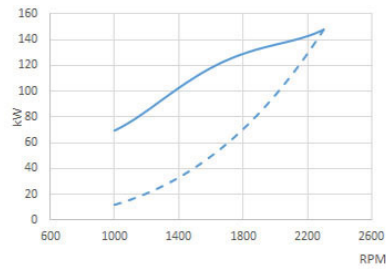


## Performance Curves

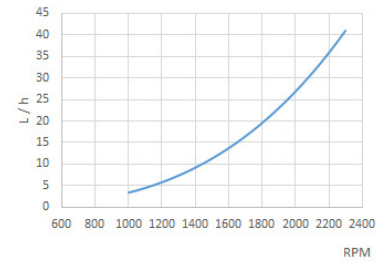
Crankshaft torque



Power (ISO 3046/1)



Fuel Consumption



Engine Power

Propeller Power

## Panels

### SVT 30 Standard



Tachometer including hour meter

Coolant Temperature Gauge

Pre-heating Pilot Light

Low Battery Alarm

High Temperature Alarm

Low Oil Pressure Alarm

5 Positions Key

Oil Pressure Gauge

Voltmeter

Dimensions: 255 x 160 mm



### SVT 40 Doble Panel

Tachometer including hour meter

Pre-heating Pilot Light

Low Battery Alarm

High Temperature Alarm

Low Oil Pressure Alarm

5 Positions Key

Dimensions: 205 x 155 mm

## Accessories

### Scope of Supply

Packaging

Instrument Panel SVT 30

Extension Harness 4 m

Silentblocks

Sump Drain pump

Owner's Manual

### Optional Equipment & Kits

We have a wide range of available accessories and kits.

Our technical department will calculate the propeller to optimize your engine

For additional information access our website

## Gearbox

Model	Type	Down Angle	Reduction Ratio (Light Duty)	Reduction Ratio (Cont. Duty)	Engine Weight with Gearbox
TM-170	Hydraulic	0°	2.04:1 - 1.50:1	-	788 Kg (1737 Lbs )
TM-200B	Hydraulic	0°	-	3.60:1 - 4.48:1	937 Kg (2065 Lbs )
TM-265	Hydraulic	0°	1.50:1 - 2.09:1 - 2.82:1	1.50:1 - 2.09:1 - 2.82:1	872 Kg (1922 Lbs )
TM-265A	Hydraulic	7°	2.09:1 - 2.09:1 -2.30:1	-	872 Kg (1922 Lbs )
TM-880A	Hydraulic	10°	2.08:1 - 1.53:1	-	771 Kg (1699 Lbs )

Authorized Dealer



solediesel.com - info@solediesel.com

Detailed drawings, brochures and manuals are available on the web. © 2017, Solé Diesel. All rights reserved. Technical specifications, data and presentation are subjected to variations, changes and updates without prior notice, and without any obligation or liability whatsoever. Text and illustrations are not binding.

